

**SERIES: SNAP-IN ULTRACAPACITOR**

**FEATURES**

- Made in the USA
- High energy density
- High power density
- Low internal resistance (ESR)
- 10 year life
- High cycle life (+500K cycles)
- RoHS compliant

**APPLICATIONS**

- Back-Up Power
- Pulse Power
- Automotive Subsystems
- Portable Power Tools
- Renewable Energy Systems

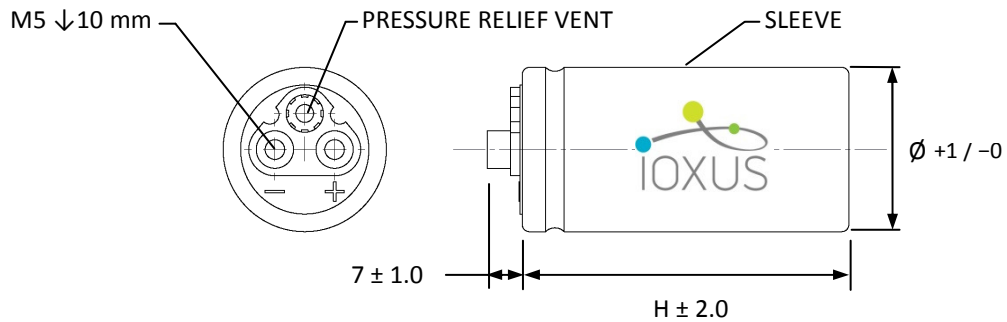


**SPECIFICATIONS:**

|  |   |  |
|--|---|--|
| <b>Operating Temperature Range</b>     | -40 °C to +70 °C  |  |
| <b>Storage Temperature Range</b>       | -40 °C to +70 °C  |  |
| <b>Rated Voltage, V<sub>R</sub></b>    | 2.7 V DC  |  |
| <b>Capacitance Tolerance</b>           | -10% to +10%  |  |
| <b>Cycle Life (25°, V<sub>R</sub>)</b> | After 500,000 cycles between rated voltage and half rated voltage under constant current at 25 °C |  |
|  | ΔC < 30% decrease, ESR < 200% increase  |  |
| <b>Life Time*</b>                      | After 10 years at rated voltage and 25 °C   |  |
|  | ΔC < 30% decrease, ESR < 200% increase  |  |
| <b>Endurance</b>                       | After 1000 hours application of rated voltage at 65°C   |  |
|  | Capacitance Change  | Within 20% of initial specified value  |
|  | Internal Resistance (ESR)   | Within 100% of initial specified value |
| <b>Shelf Life</b>                      | After 1000 hours storage at 70°C without load (0 V DC)  |  |
|  | Capacitance Change  | Within 20% of initial value            |
|  | Internal Resistance (ESR)   | Within 100% of initial value           |

\*Life time is a provisional value

**DIMENSIONS:**



| Part Number  | Unit | RSC2R7357ST |
|--------------|------|-------------|
| Diameter (Ø) | mm   | 35          |
| Height (H)   | mm   | 62          |
| Volume       | ml   | 60          |
| Weight       | g    | 75          |

**PRODUCT DETAILS:**

| Part Number           | Unit   | RSC2R7357ST |
|-----------------------|--------|-------------|
| Capacitance           | F      | 350         |
| Capacitance Tolerance | %      | -10% / +20% |
| Rated Voltage         | V      | 2.7         |
| Surge Voltage         | V      | 2.85        |
| Impedance (AC 1kHz)   | mΩ     | 2.2         |
| ESR (DC)              | mΩ     | 2.5         |
| Max Stored Energy     | Wh     | 0.354       |
| Specific Energy       | Wh/kg  | 4.73        |
|                       | Wh/L   | 5.94        |
| Maximum Power         | kW/kg  | 11.05       |
| Operating Temp        | °C     | -40 to +65  |
| Stored Temp           | °C     | -40 to +70  |
| Max Leakage Current   | mA     | 1.0 (72h)   |
| Life time             | years  | 10          |
| Cycle life            | cycles | 500,000     |

\*\*All specifications subject to change without notification; please contact ioxus for the latest information