

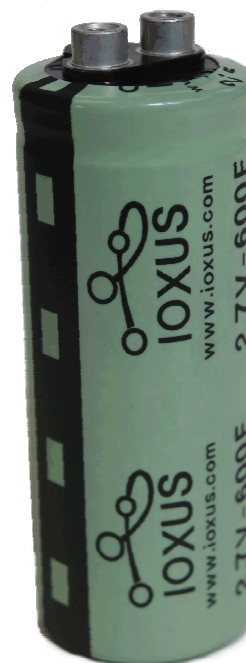
SERIES: SCREW TERMINAL EDLC

FEATURES

- Made in the USA
- High energy density
- High power density
- Low internal resistance (ESR)
- 10 year life
- High cycle life (+500K cycles)
- RoHS compliant

APPLICATIONS

- Back-Up Power
- Pulse Power
- Automotive Subsystems
- Portable Power Tools
- Renewable Energy Systems

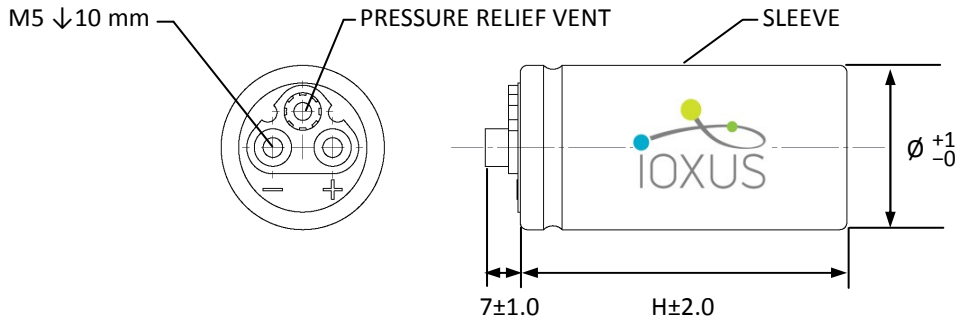


SPECIFICATIONS:

Operating Temperature Range	-40 °C to +65 °C	
Storage Temperature Range	-40 °C to +70 °C	
Rated Voltage, V_R	2.7 V DC	
Capacitance Tolerance	-10% to +10%	
Cycle Life (25°, V_R)	After 500,000 cycles between rated voltage and half rated voltage under constant current at 25 °C	
	ΔC < 30% decrease, ESR < 200% increase	
Life Time*	After 10 years at rated voltage and 25 °C	
	ΔC < 30% decrease, ESR < 200% increase	
Endurance	After 1000 hours application of rated voltage at 65°C	
	Capacitance Change	Within 20% of initial specified value
	Internal Resistance (ESR)	Within 100% of initial specified value
Shelf Life	After 1000 hours storage at 70°C without load (0 V DC)	
	Capacitance Change	Within 20% of initial value
	Internal Resistance (ESR)	Within 100% of initial value

*Life time is a provisional value

DIMENSIONS:



Part Number	Unit	RSC2R7407LR	RSC2R7607LR
Diameter (∅)	mm	35	35
Height (H)	mm	70	90
Volume	ml	67	87
Weight	g	81	103

PRODUCT DETAILS:

Part Number	Unit	RSC2R7407LR	RSC2R7607LR
Capacitance	F	400	600
Capacitance Tolerance	%	±10	±10
Rated Voltage	V	2.7	2.7
Surge Voltage	V	2.85	2.85
Impedance (AC 1kHz)	mΩ	≤2.0	≤1.5
ESR (DC)	mΩ	≤2.5	≤2.0
Max Stored Energy	Wh	0.405	0.608
Specific Energy	Wh/kg	5.00	5.90
	Wh/L	6.02	7.02
Maximum Power	kW/kg	11.25	11.80
Operating Temp	°C	-40 to +65	-40 to +65
Stored Temp	°C	-40 to +70	-40 to +70
Max Leakage Current	mA	1.2 (72h)	1.5 (72h)
Life time	years	10	10
Cycle life	cycles	500,000	500,000

**All specifications subject to change without notification; please contact ioxus for the latest information